

Voice Alert System (VAS)

Immediate Voice Conferencing

The Voice Alert System (VAS) or “crash system” facilitates immediate and reliable digital voice conferencing for critical events. An “alert” conference is activated when one or more connected phones go off hook.



FEATURES:

- Off Hook Activation of Up To 48 Phones.
- Multiple Alert Groups are Configurable.
- Optional Indicator Panel (shown).
- Rack or Wall Mountable.

APPLICATIONS:

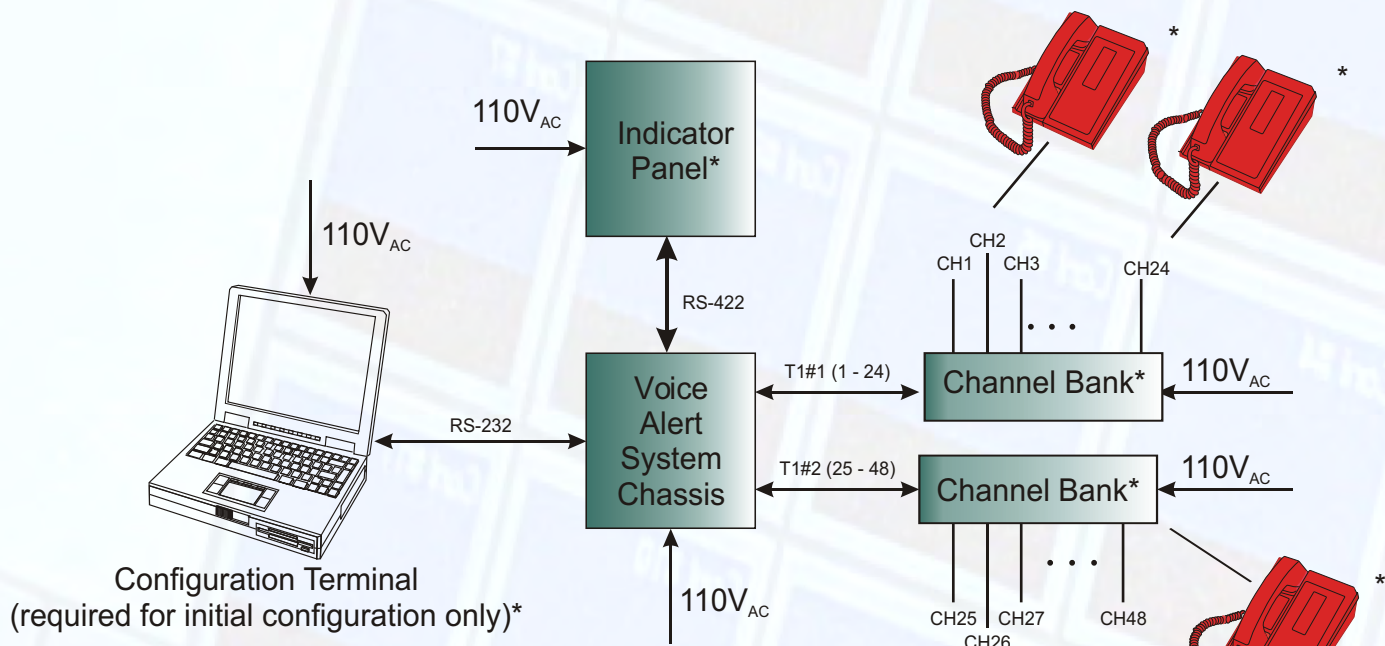
- Airport Runways.
- Building Security.
- Command Centers.
- 911 Centers.

DIMENSIONS:

- Height: 1.75 inches (1RU).
- Width: 17.0 inches.
- Depth: 17.0 inches.

Direct Replacement for Obsolete Model 291 / 292 Crash Systems.

VOICE ALERT SYSTEM



DESCRIPTION:

- The Voice Alert System automatically rings from one to 48 telephones when one connected phone goes off hook.
- Supports up to 48 telephones via T1 or 2-wire analog interfaces.
- Compatible with paging systems.
- Voice alert groups are configurable from six simultaneous alert groups of eight phones to one alert group of 48 phones.

Configurable Parameters:

- Alert group participant telephones.
- Telephones that initiate an event.
- Telephones that terminate an event.
- Ring types.
- Ring durations.
- Phone audio volume.

Optional Indicator Panel Functions:

- Status reporting for individual phones and events.
- Exclusion of phones in event scenarios.
- Remote access to the VAS via RS-422 interface.

INPUT POWER:

- 120 V_{AC}, 50 - 60 Hz.

ABOUT COMPUNETIX:

Compunetix, a small business with over 30 years of experience in designing and manufacturing communications equipment, is located 15 miles East of Pittsburgh in Monroeville, Pennsylvania. The Federal Systems Division of Compunetix specializes in the design, manufacture, and installation of mission-critical voice communications systems for the aerospace, military, civilian government, emergency response, and other markets where reliable mission-critical communication is a necessity.



compunetix, inc.

2420 mosside blvd

monroeville, pa 15146

phone: 412-373-8110 fax: 412-858-6348

www.compunetix.com fstdsales@compunetix.com